

ENGINEER TO ORDER

SPECIAL PROJECT INFORMATION SHEET



Project Description	Special reaction & drive adaption for EBT-2700		
Date created	November 2019	Project Number	Q4725

INTRODUCTION & APPLICATION

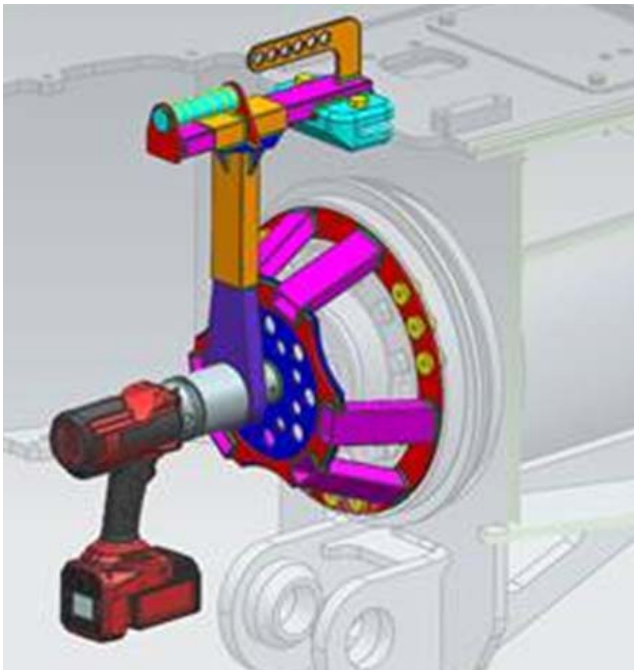
Off-highway articulated vehicle application for torque tightening a slew ring.
Requires a safe powered solution.

SOLUTION

EBT-2700 with special drive and reaction.

Special drive engages slew ring via 9x drive dogs.

Torque reaction is taken from the vehicle frame and incorporates spring loaded travel.



TECHNICAL SPECIFICATION / DATA HIGHLIGHTS

Each element < 10 Kg. for ease of handling.